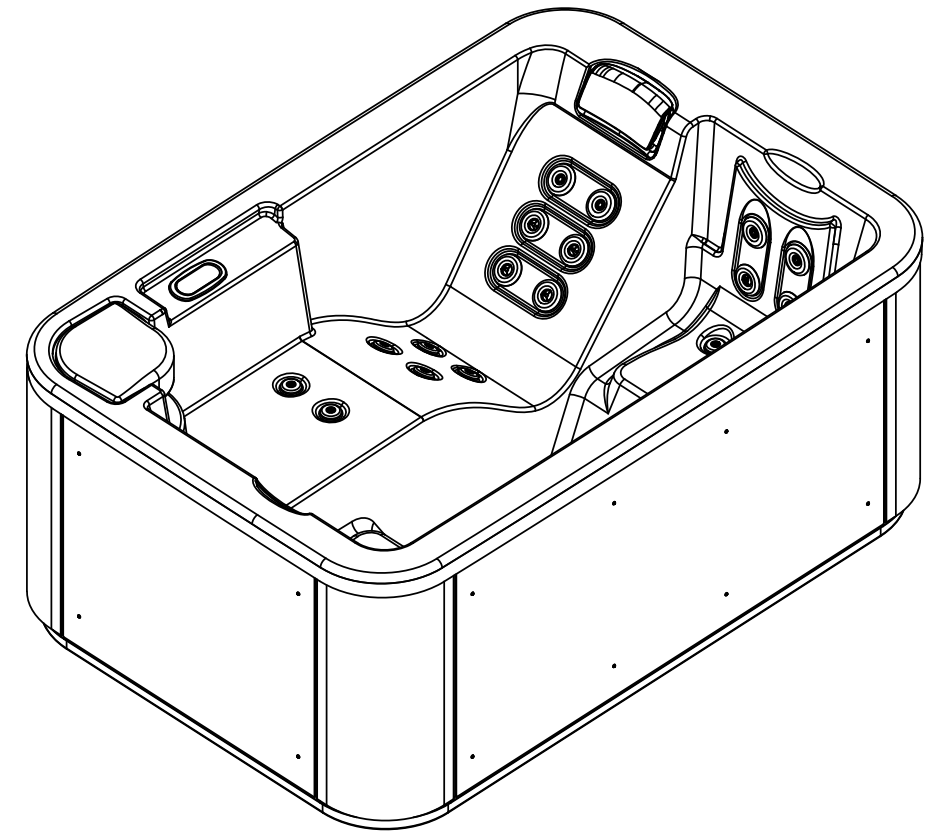


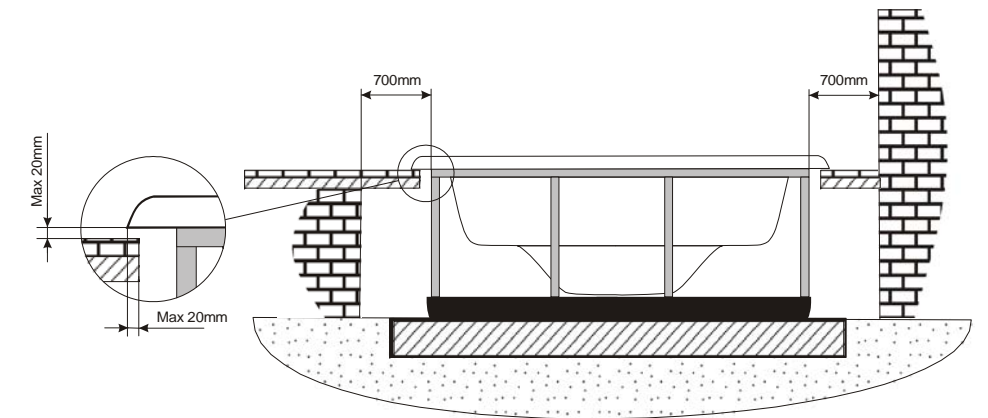
ELECTRICAL BOARD CONNECTIONS ACCESS



Inground option

WARNING:

It's essential to keep a minimum clearance access of **700mm** all around.



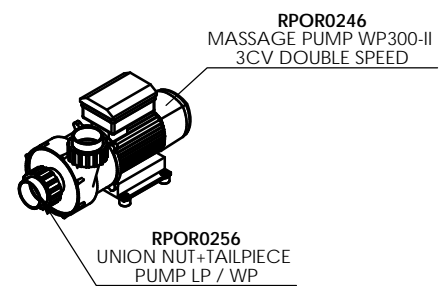
According to our policy of continuous improvement, dimensions, features or components of this product can be partially or completely changed without prior notice. It's Customer responsibility to verify that this is the last version of the drawing

Change No.	Date	Name	Modification
02	28/10/2014	I.Pozo	New spare template
01	19/05/2014	I.Pozo	Change furniture and drawing views
00	17/01/2013	X.Codina	Drawing creation

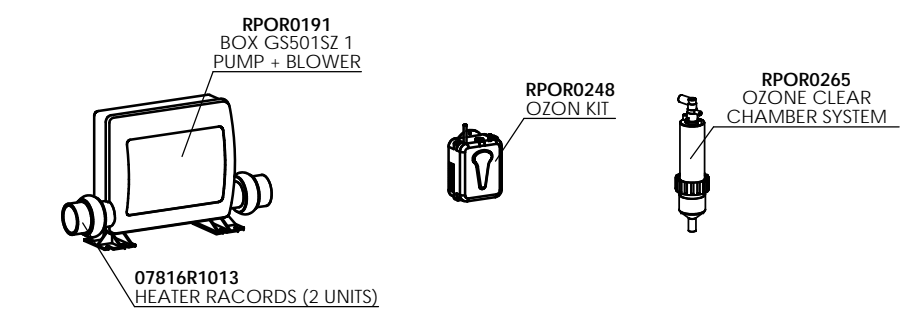
Remarks Dimensions in mm. General Tolerances +/- 10mm			COMMERCIAL		
Drawn	17/01/2013	X.Codina		Part Number 58603	Rev. 02
Checked	-	I.Nicolas			
Scale	1:15	General Tolerance DIN 7168 ISO 2768g			
Sheet	1/2				
First Angle Projection					

ACCESSORIES			
Position Num.	Part Nº SPARE	Description SPARE	Quant.
2	RPOR0225	GREY SPA DRAIN 2" ADAPTOR SOCKET D.50	2
8	RPOR0003	GREY DRAIN SET - BODY+COVER+ASSEMBLY	1
10	RPOR0239	SPOTLIGHT LED SET RD	1
10.1	RPOR0240	MASTER LED LIGHT	1
11	RPOR0236	JET BODY SET RD 3"	14
12	RPOR0231	FRONTAL JET 3" STAINLESS STEEL DIRECTIONAL	8
13	RPOR0232	FRONTAL JET 3" STAINLESS STEEL 1 JET ROTO	4
14	RPOR0233	FRONTAL JET 3" STAINLESS STEEL TWIN ROTO	2
15	RPOR0235	JET BODY SET RD 2"	10
16	RPOR0230	FRONTAL JET 2" STAINLESS STEEL DIRECTIONAL	10
22	RPOR0238	SKIMFILTER RD LOW PROFILE	1
25	RPOR0241	CONTROL PANEL VL600S	1
25.1	RPOR0242	COVER DIGITAL PANEL VL600S	1
28	RPOR0032	SMALL HEADREST GREY	1
30	RPOR0156	SKIMFILTER COVER	1
38	RPOR0247	FILTER CARTRIDGE SKIMFILTER RD	1
49	RPOR0136	DRAIN FILL VALVE (BLACK)	1

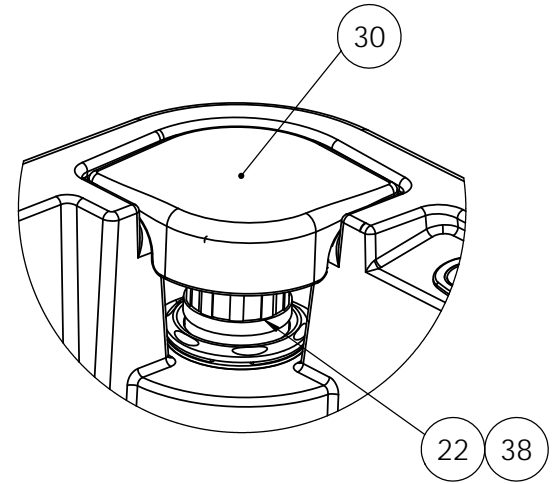
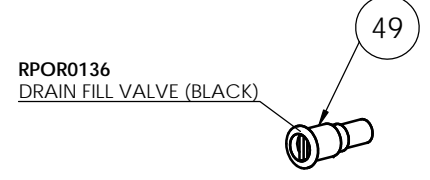
PUMPS SPARE CODES



HEATER AND DESINFECTION SPARE CODES



RPOR0101 - TEMPERATURE PROBES GS I GL (x 2)
 RPOR0105 - HEATER 3 KW GS I GL
 RPOR0197 - DIGITAL PANEL GS501SZ



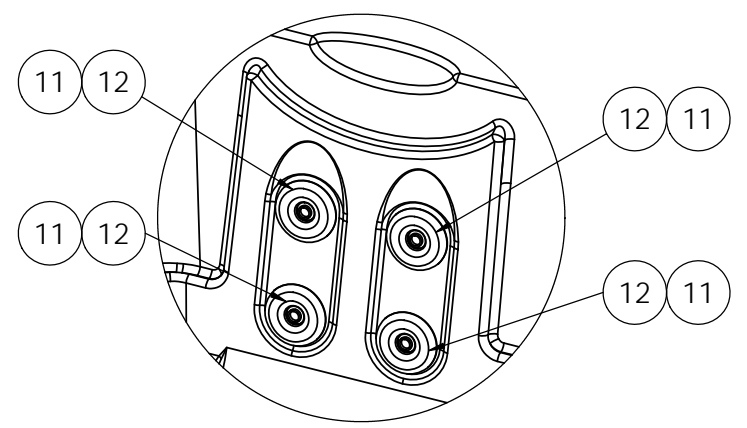
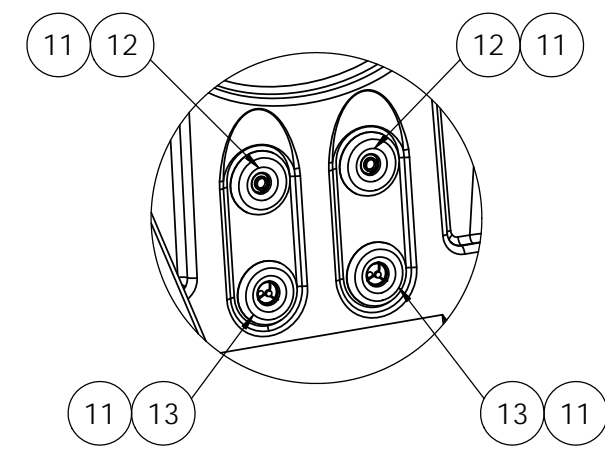
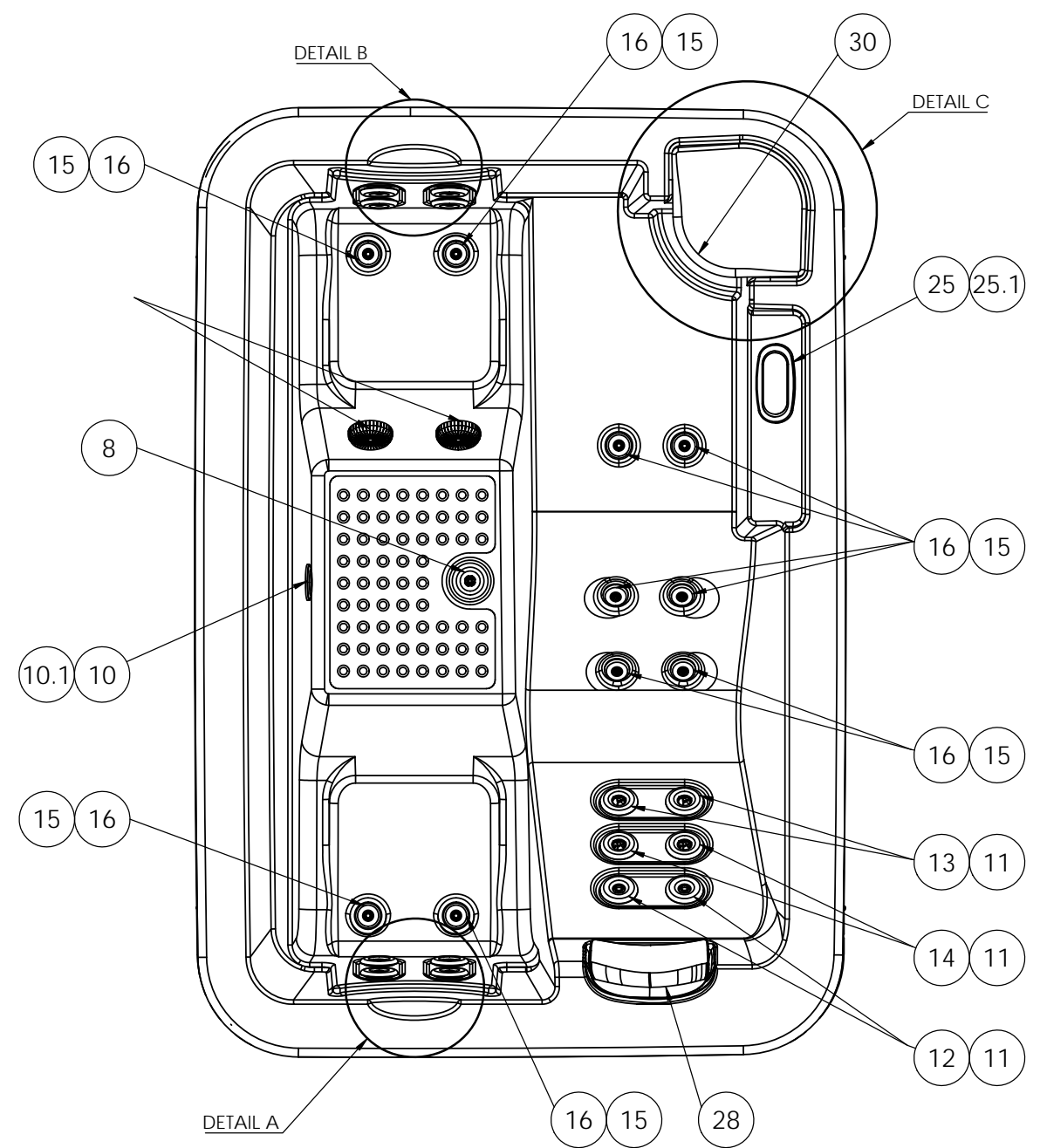
C (1 : 10)

According to our policy of continuous improvement, dimensions, features or components of this product can be partially or completely changed without prior notice. It's Customer responsibility to verify that this is the last version of the drawing

Change No.	Date	Name	Modification
02	28/10/2014	I.Pozo	New spare template
01	19/05/2014	I.Pozo	Change furniture and drawing views
00	17/01/2013	X.Codina	Drawing creation

Remarks Dimensions in mm. General Tolerances +/- 10mm		SPARE PARTS DRAWING	
Drawn	17/01/2013	X.Codina	
Checked	-	I.Nicolas	
Scale	1:15	General Tolerance DIN 7168 ISO 2768g	Part Number 58603
Sheet	2/2		Rev. 02
			First Angle Projection

Property of IBERSPA S.L. Avda. Pla d'Urgell 2-8 25200 Cervera, Spain. Don't use without permission. Keep this information confidential and use it solely for the permitted purpose.



A (1 : 10)

B (1 : 10)