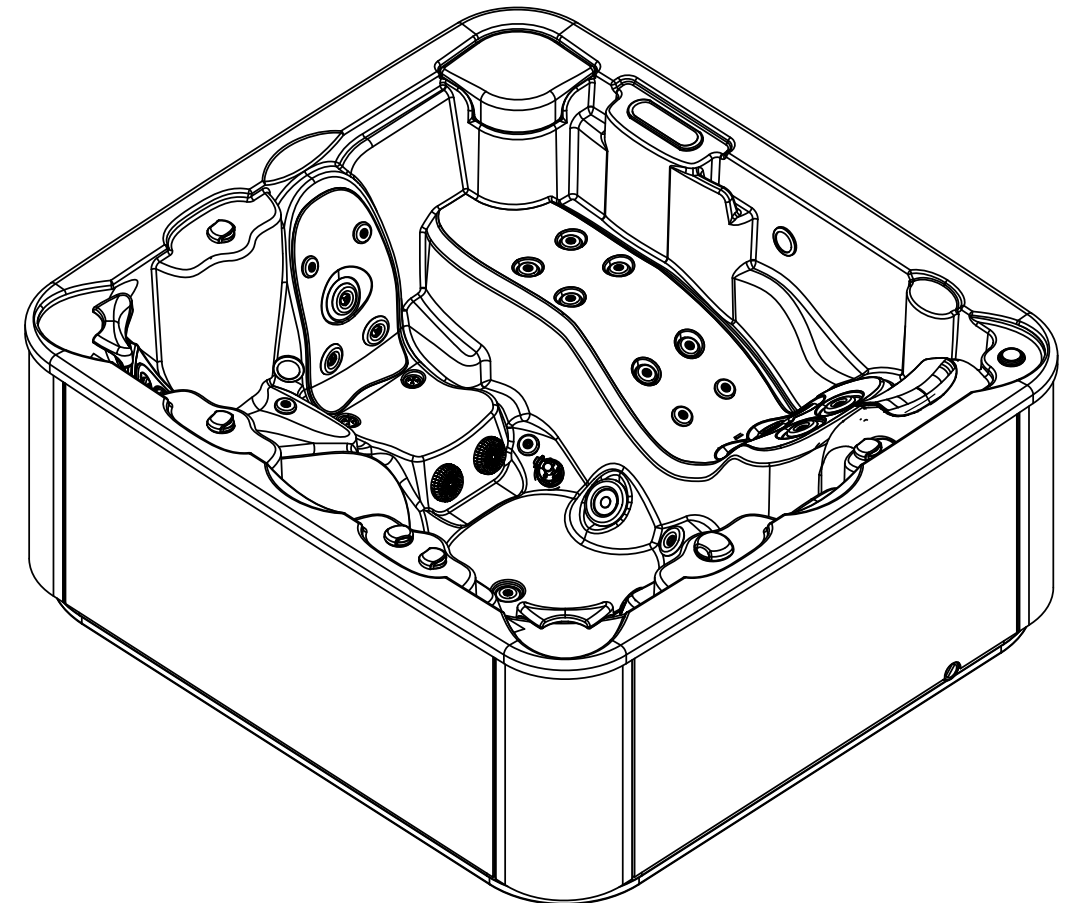
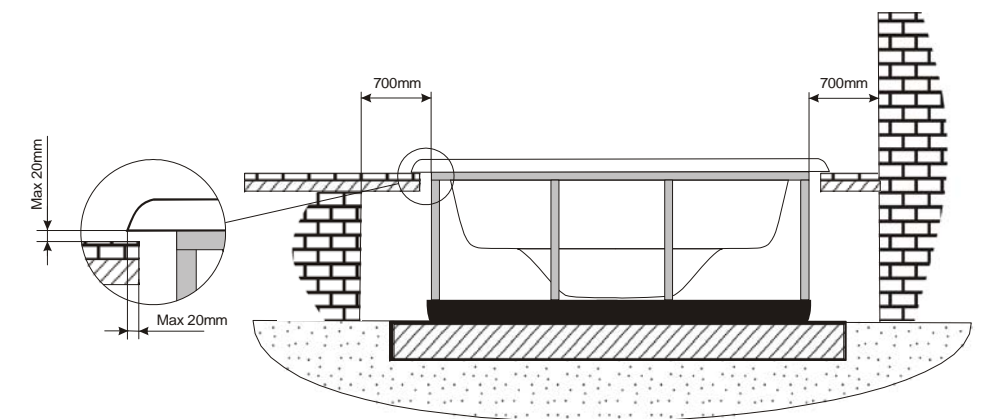


↑
↑
ELECTRICAL BOARD CONNECTIONS ACCESS



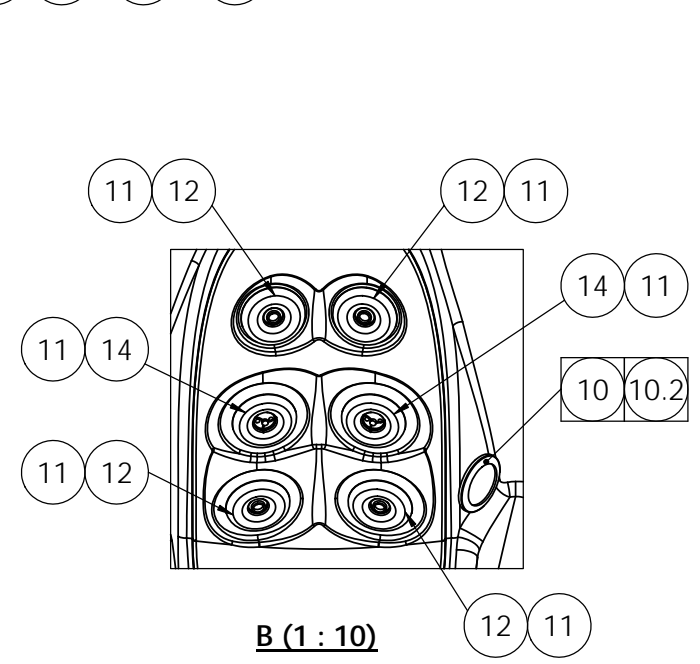
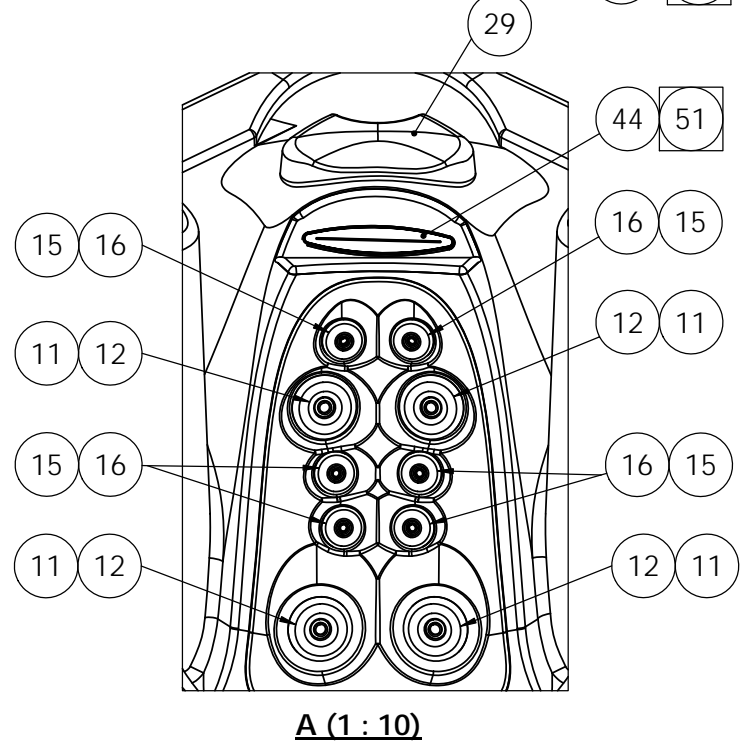
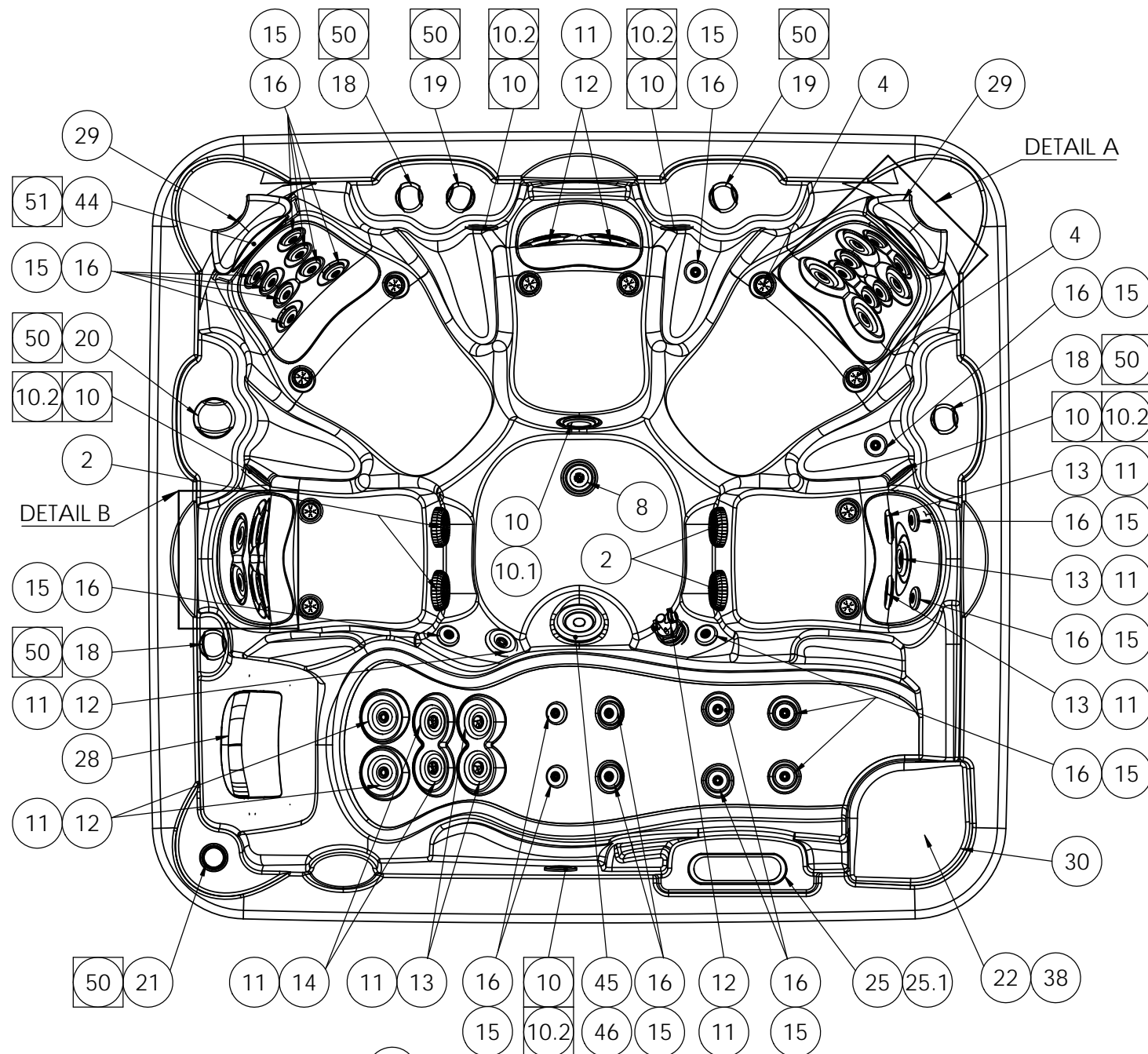
Inground option

WARNING:
It's essential to keep a minimum clearance access of **700mm** all around.

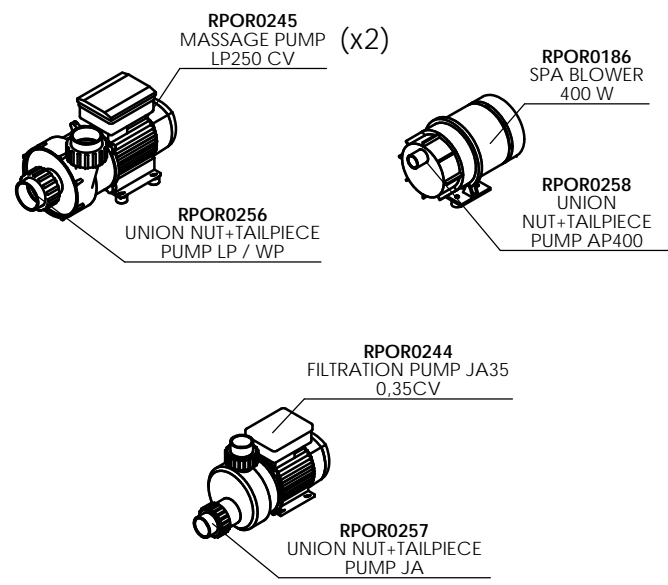


According to our policy of continuous improvement, dimensions, features or components of this product can be partially or completely changed without prior notice.
It's Customer responsibility to verify that this is the last version of the drawing

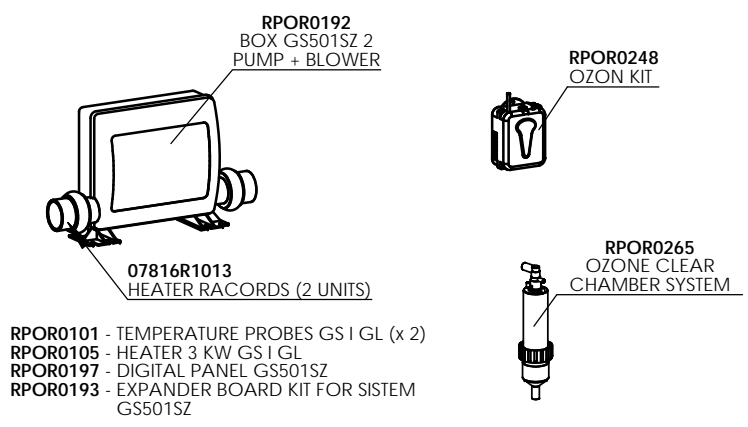
00	17/11/2014	I.Pozo	Drawing creation				
Change No.	Date	Name	Modification				
Remarks				COMMERCIAL			
Dimensions in mm. General Tolerances +/- 10mm							
Drawn	17/11/2014	I.Pozo			Part Number 62397	Rev. 00	
Checked	-	V.Saiz					
Scale	1:15	General Tolerance DIN 7168 ISO 2768g					
Sheet	1/1						
Property of IBERSPA S.L. Avda. Pla d'Urgell 2-8 25200 Cervera, Spain. Don't use without permission. Keep this information confidential and use it solely for the permitted purpose.							



PUMPS SPARE CODES

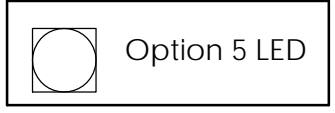


HEATER AND DESINFECTATION SPARE CODES



RPOR0101 - TEMPERATURE PROBES GS I GL (x 2)
 RPOR0105 - HEATER 3 KW GS I GL
 RPOR0197 - DIGITAL PANEL GS501SZ
 RPOR0193 - EXPANDER BOARD KIT FOR SISTEM GS501SZ

ACCESSORIES			
Position Num.	Part Nº SPARE	Description SPARE	Quant.
2	RPOR0225	GREY SPA DRAIN 2" ADAPTOR SOCKET D.50	4
4	REMP0046	WHITE-STAINLESS STEEL AIR NOZZLE	10
8	RPOR0003	GREY DRAIN SET - BODY+COVER+ASSEMBLY	1
10	RPOR0239	SPOTLIGHT LED SET RD	6
10.1	RPOR0240	MASTER LED LIGHT	1
10.2	RPOR0252	LED SLAVE LIGHT	5
11	RPOR0236	JET BODY SET RD 3"	23
12	RPOR0231	FRONTAL JET 3" STAINLESS STEEL DIRECTIONAL	14
13	RPOR0232	FRONTAL JET 3" STAINLESS STEEL 1 JET ROTO	5
14	RPOR0233	FRONTAL JET 3" STAINLESS STEEL TWIN ROTO	4
15	RPOR0235	JET BODY SET RD 2"	28
16	RPOR0230	FRONTAL JET 2" STAINLESS STEEL DIRECTIONAL	28
18	RPOR0261	VENTURY CONTROLLER SS	3
19	RPOR0263	VALVE ON-OFF 1" SS	2
20	RPOR0262	3 WAYS SS VALVE 2"	1
21	RPOR0264	AROMA DISPENSER ASM LIT	1
22	RPOR0238	SKIMERFILTER RD LOW PROFILE	1
25	RPOR0196	DIGITAL PANEL VL700+COVER 2 PUMP + BLOWER	1
25.1	RPOR0202	COVER DIGITAL PANEL VL700 2 PUMP + BLOWER	1
28	RPOR0032	SMALL HEADREST GREY	1
29	RPOR0095	SMALL HEADREST - PACIFIC-ANTARTIC	2
30	RPOR0156	SKIMFILTER COVER	1
38	RPOR0247	FILTER CARTRIDGE SKIMFILTER RD	1
44	RPOR0278	SS 7" WATERFALL	2
45	RPOR0234	FRONTAL JET 5" STAINLESS STEEL DIRECTIONAL	1
46	RPOR0237	JET BODY SET RD 5"	1
49	RPOR0136	DRAIN FILL VALVE (BLACK)	1
50	RPOR0267	4 LEDS LIGHTS POINTS	7
51	RPOR0268	1 LED LIGHT POINT	4



According to our policy of continuous improvement, dimensions, features or components of this product can be partially or completely changed without prior notice. It's Customer responsibility to verify that this is the last version of the drawing

00	17/11/2014	I.Pozo	Drawing creation
Change No.	Date	Name	Modification
Remarks			
Dimensions in mm. General Tolerances +/- 10mm			
Drawn	17/11/2014	I.Pozo	
Checked	-	V.Saiz	
Scale 1:15	General Tolerance DIN 7168 ISO 2768g		
Sheet 2/2			
		Part Number	Rev.
		62397	00
		First Angle Projection	
Property of IBERSPA S.L. Avda. Pla d'Urgell 2-8 25200 Cervera, Spain. Don't use without permission. Keep this information confidential and use it solely for the permitted purpose.			