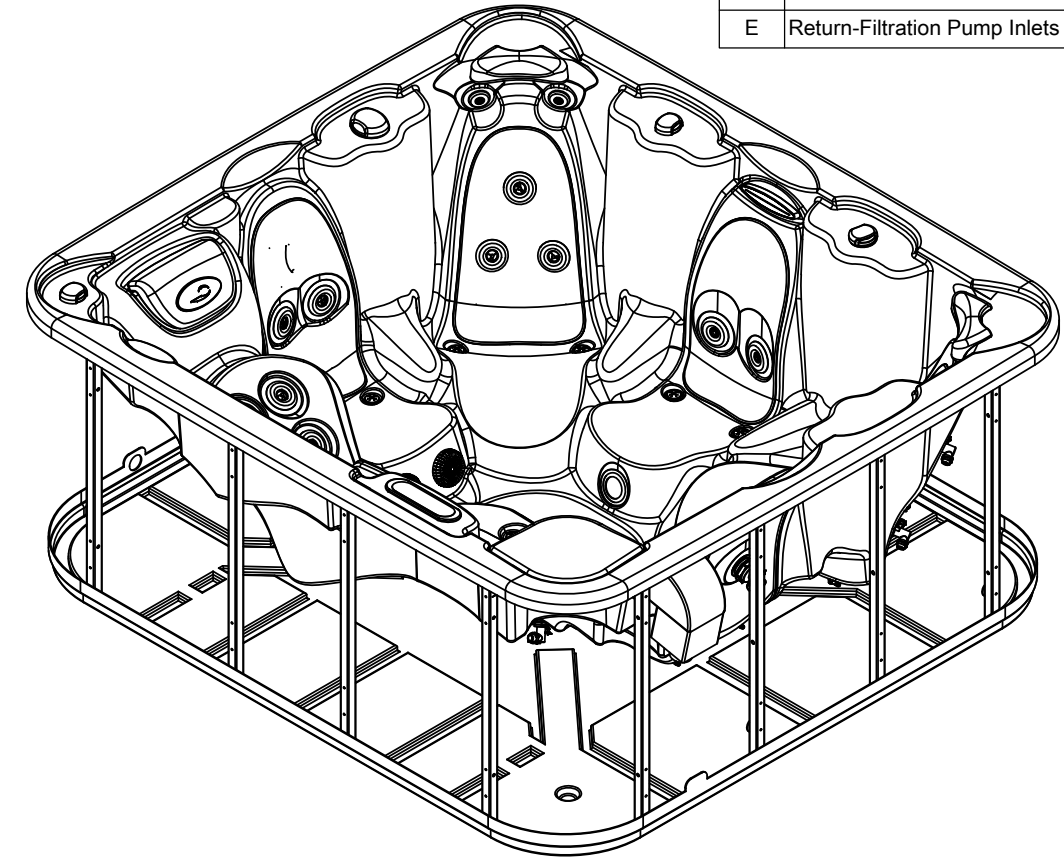
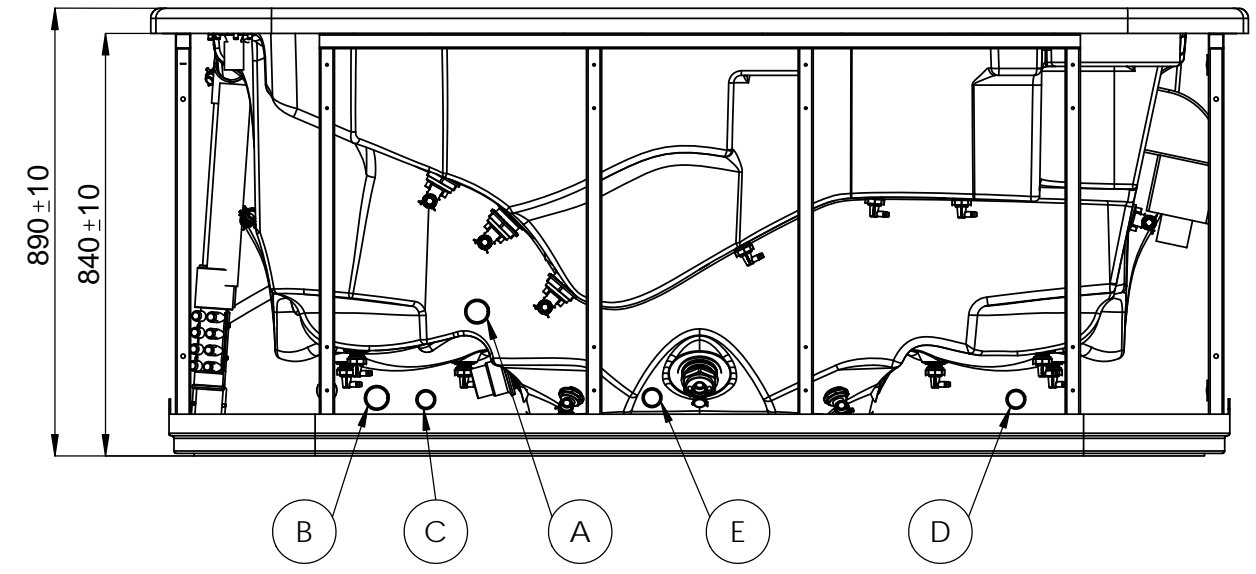
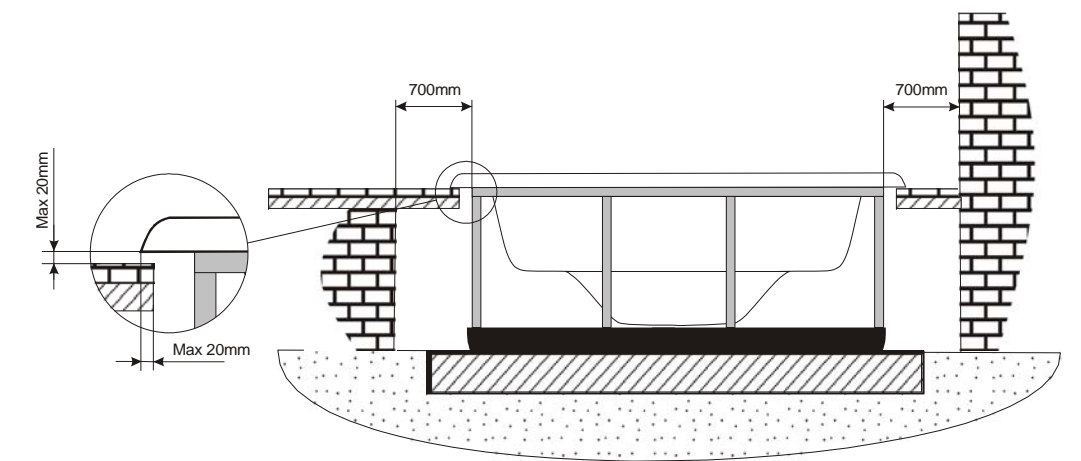
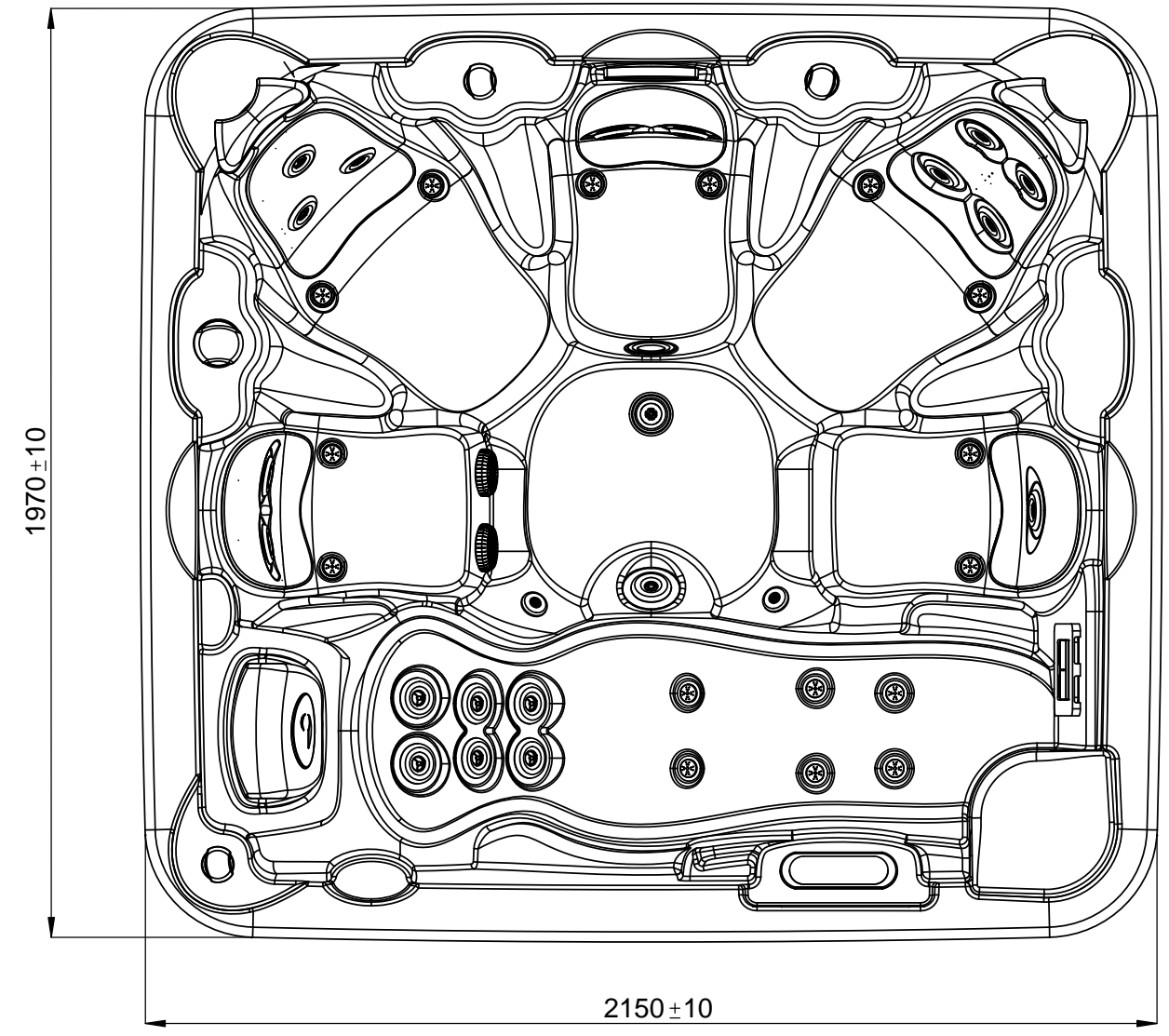


A	Suction-Water Massage Pump 1	Ø 63 FEMALE SOCKET
B	Return-Water Massage Pump 1	Ø 63 FEMALE SOCKET
C	Return-Air Massage	Ø 50 FEMALE SOCKET
D	Suction/Return-Filtration Pump Bottom Spa	Ø 50 FEMALE SOCKET
E	Return-Filtration Pump Inlets	Ø 50 FEMALE SOCKET



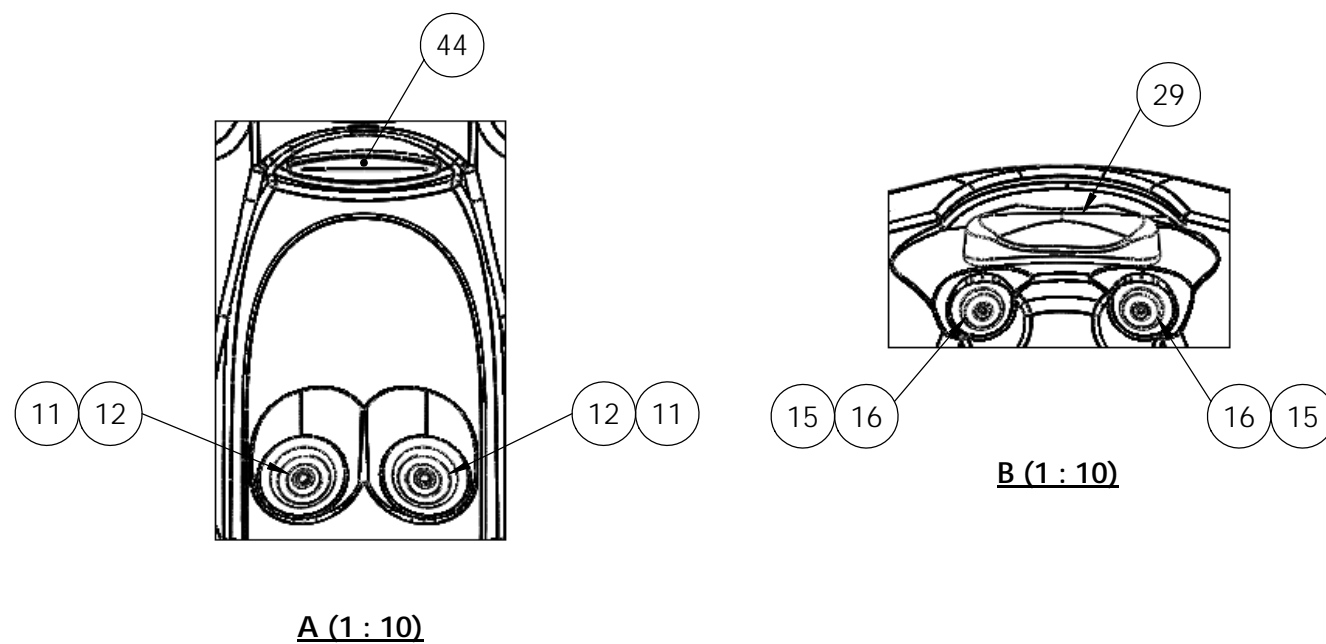
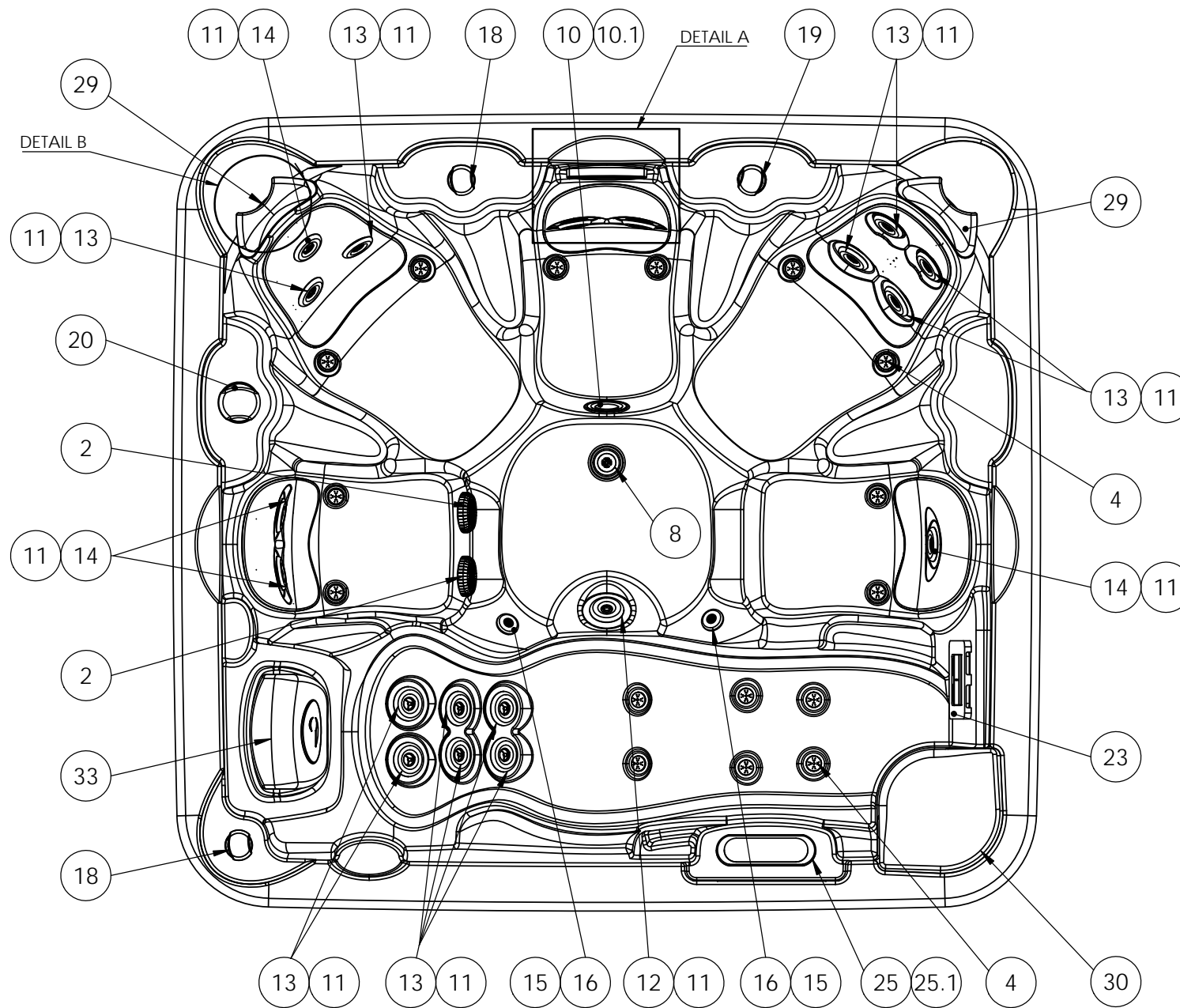
WARNING:
It's essential to keep a minimum clearance access of **700mm** all around.



According to our policy of continuous improvement, dimensions, features or components of this product can be partially or completely changed without prior notice.
It's Customer responsibility to verify that this is the last version of the drawing

04	04/11/2014	I.Pozo	Change scale and new spare template	
03	19/05/2014	I.Pozo	New templates	
02	20/05/2009	--	Drawing updated	
Change No.	Date	Name	Modification	
Remarks			COMMERCIAL	
Dimensions in mm. General Tolerances +/- 10mm				
Drawn	05/05/2008	--		
Checked	--	I.Nicolas		
Scale	1:15	General Tolerance		
Sheet	1/2	DIN 7168 ISO 2768g		
		Part Number	Rev.	First Angle Projection
		40768	04	
Property of IBERSPA S.L. Avda. Pla d'Urgell 2-8 25200 Cervera, Spain. Don't use without permission. Keep this information confidential and use it solely for the permitted purpose.				

↑ ↑
HYDRAULIC CONNECTIONS ACCESS



ACCESSORIES			
Position Num.	Part Nº SPARE	Description SPARE	Quant.
2	RPOR0223	WHITE SPA DRAIN 2" ADAPTOR SOCKET D.50	2
4	REMP0046	WHITE-STAINLESS STEEL AIR NOZZLE	16
8	RPOR0003	GREY DRAIN SET - BODY+COVER+ASSEMBLY	1
10	RPOR0239	SPOTLIGHT LED SET RD	1
10.1	RPOR0240	MASTER LED LIGHT	1
11	RPOR0236	JET BODY SET RD 3"	19
12	RPOR0231	FRONTAL JET 3" STAINLESS STEEL DIRECTIONAL	3
13	RPOR0232	FRONTAL JET 3" STAINLESS STEEL 1 JET ROTO	12
14	RPOR0233	FRONTAL JET 3" STAINLESS STEEL TWIN ROTO	4
15	RPOR0235	JET BODY SET RD 2"	4
16	RPOR0230	FRONTAL JET 2" STAINLESS STEEL DIRECTIONAL	4
18	RPOR0261	VENTURY CONTROLLER SS	2
19	RPOR0263	VALVE ON-OFF 1" SS	1
20	RPOR0262	3 WAYS SS VALVE 2"	1
23	RPOR0178	SKIMMER FILTER GRIS for preassure filter	1
25	RPOR0195	DIGITAL PANEL VL700+COVER 1 PUMP + BLOWER	1
25.1	RPOR0201	COVER DIGITAL PANEL VL700 1 PUMP + BLOWER	1
29	RPOR0095	SMALL HEADREST - PACIFIC-ANTARTIC	2
30	RPOR0156	SKIMFILTER COVER	1
33	RPOR0094	BIG HEADREST - PACIFIC-ANTARTIC-EVOLUTION	1
44	RPOR0278	SS 7" WATERFALL	1

According to our policy of continuous improvement, dimensions, features or components of this product can be partially or completely changed without prior notice. It's Customer responsibility to verify that this is the last version of the drawing

Change No.	Date	Name	Modification
04	04/11/2014	I.Pozo	Change scale and new spare template
03	19/05/2014	I.Pozo	New templates
02	20/05/2009	--	Drawing updated

Remarks Dimensions in mm. General Tolerances +/- 10mm			SPARE PARTS DRAWING			
Drawn	05/05/2008	--		Part Number 40768	Rev. 04	
Checked	--	I.Nicolas				
Scale	1:15	General Tolerance DIN 7168 ISO 2768g				
Sheet	2/2					
Property of IBERSPA S.L. Avda. Pla d'Urgell 2-8 25200 Cervera, Spain. Don't use without permission. Keep this information confidential and use it solely for the permitted purpose.						